



AMERICAN  
CONCRETE  
PIPE®

# American Concrete Pipe Co. Inc.

Green Bay  
(920) 494-3436  
Fax (920) 494-3472

Milwaukee  
(414) 466-4990  
Fax (414) 466-4882

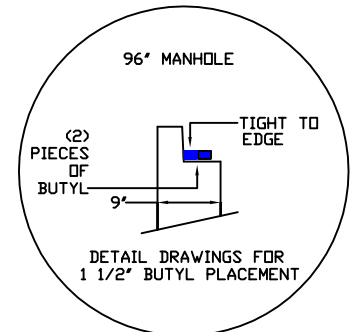
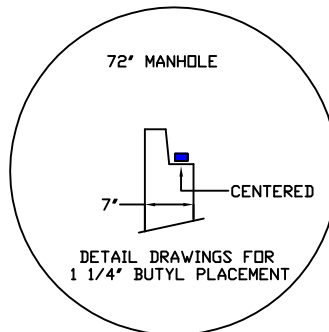
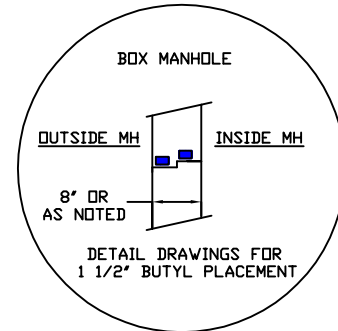
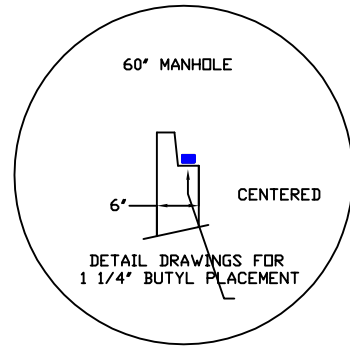
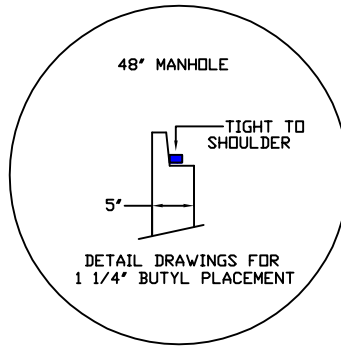
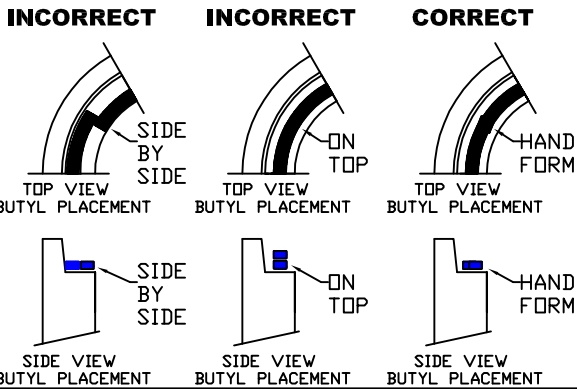
www.americanconcretepipe.com

## Manhole Butyl Placement

### - INSTALLATION INSTRUCTIONS:

- 1). clean surface
- 2). apply butyl
- 3). hand-form butyl where ends meet \*\*

\*\* = Where ends meet, DO NOT overlap butyl side by side or on top (see below), butyl must be hand-formed



No. 10-08

DRAWINGS NOT TO SCALE

MH-1

- PRIMING NECESSARY WHEN CONFRONTED WITH DIFFICULT INSTALLATION CONDITIONS, SUCH AS WET CONCRETE OR TEMPERATURES BELOW 40°F (4°C), PRIMING THE CONCRETE WILL IMPROVE THE BONDING ACTION.

- CONTRACTOR TO USE SPREADER BAR WHEN LIFTING ALL 48", 60", 72", 96", & BOX MANHOLES